

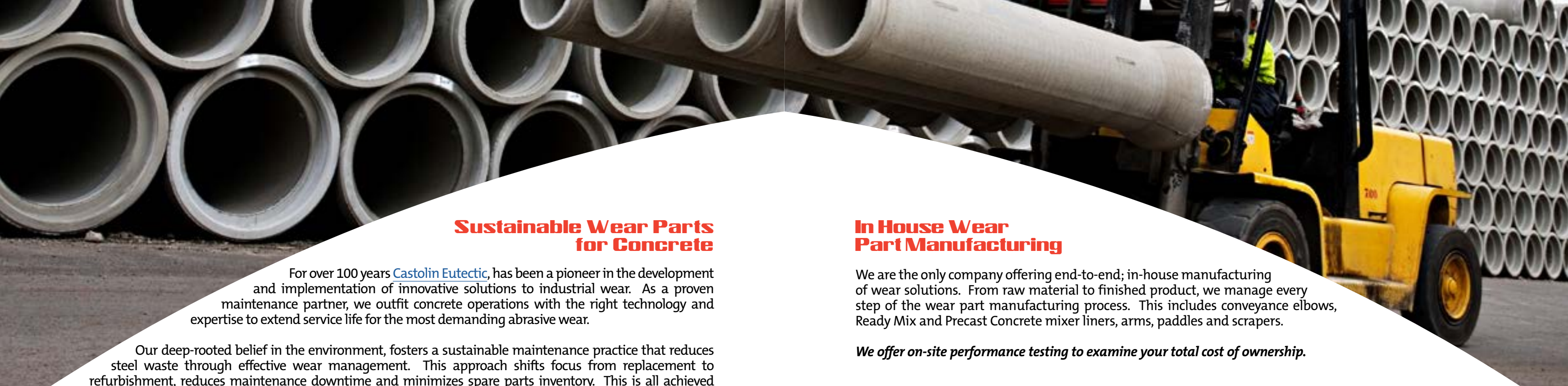


Concrete

Wear management solutions
for the **concrete** industry

Pioneering Industrial Sustainability

www.castolin.com www.eutectic.com



Sustainable Wear Parts for Concrete

For over 100 years [Castolin Eutectic](#), has been a pioneer in the development and implementation of innovative solutions to industrial wear. As a proven maintenance partner, we outfit concrete operations with the right technology and expertise to extend service life for the most demanding abrasive wear.

Our deep-rooted belief in the environment, fosters a sustainable maintenance practice that reduces steel waste through effective wear management. This approach shifts focus from replacement to refurbishment, reduces maintenance downtime and minimizes spare parts inventory. This is all achieved through the selection of alloy cladding technologies that increases the wear characteristics of conventional steel plate, resulting in lighter weight and longer lasting replacement parts.

In House Wear Part Manufacturing

We are the only company offering end-to-end; in-house manufacturing of wear solutions. From raw material to finished product, we manage every step of the wear part manufacturing process. This includes conveyance elbows, Ready Mix and Precast Concrete mixer liners, arms, paddles and scrapers.

We offer on-site performance testing to examine your total cost of ownership.

Global Presence and Local Outreach to Support Your Operation

Our strategically located [Service Centers](#) offer you a local presence, while our expertise extends globally. This global reach enables us to pool our resources and knowledge from around the world to solve challenging industrial wear problems. We work side by side with our customers to implement the most cost-effective solutions to optimize equipment performance, reliability, and safety.



3D Scan of Mixer Liner

Our Fabrication Capabilities

- 3D on-site laser scanning for accurate measurements
- High precision plasma cutting for a perfect fit
- Beveled countersunk bolting holes for optimal depth
- Advanced steel wearplate cutting, forming, welding and fabrication



Safety

Limit exposure risk to working at heights, heavy lifting and confined space entry



Productivity

Increase uptime, reduce maintenance and maximize your throughput



Asset Integrity

Site surveys and wear analysis for your most challenging areas



Profitability

Enhance bottom line results, by reducing waste and improving overall plant performance



Sustainability

Optimize equipment lifecycle through maintenance excellence and productivity



Quality

Enhance quality output with long-lasting equipment performance

Your Challenges

Today's construction industry increasingly requires production of consistent, homogeneous quality concrete with even faster mixing cycles.

The raw materials used to produce concrete are abrasive under both dry and wet conditions, creating uneven wear. Uneven wear reduces the effectiveness of the mixing and scraping operations, decreasing production throughput. As concrete mixing production volumes increase, you need to manage wear while preserving quality and maintaining output.

By choosing Castolin Eutectic's high-performance mixer liner package or wear cladded mixer parts, you will reduce frequent change outs and improve efficiency.

“Our CDP is built to outperform in the harshest environments, improving equipment performance, throughput and uptime.”

Our Solutions

CastoTube® Cladded Pipe



Our engineered weld-cladded pipe solutions are designed to optimize the service life and performance of your concrete raw material conveyance systems.

[CastoTube](#) cladded pipe is cost-effective, easy to connect and extremely wear resistant. Inner diameters range from 4" to 24". Built to your specifications in Elbows, Y-joints with flanges or other custom connections. Provided ready-to-assemble for full protection of transport pipes.

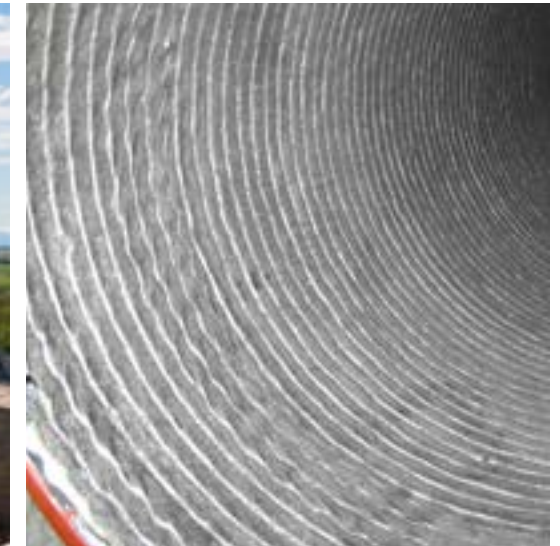
CDP® Wear Plate Parts



[CastoDur Diamond Plate® \(CDP\)](#) weld cladded overlays offer the optimal mix of carbides. Available in Tungsten, Chromium or Complex multi-carbide alloys, CDP provides you with the ultimate protection from severe abrasion and extreme sliding wear in both dry and slurry applications.

Our engineering and fabrication are best in class. We provide mixer pan liners, paddles and arm guards, using precision cutting, forming, welding and measuring capabilities.

Reliability for Raw Material Transport and Preparation

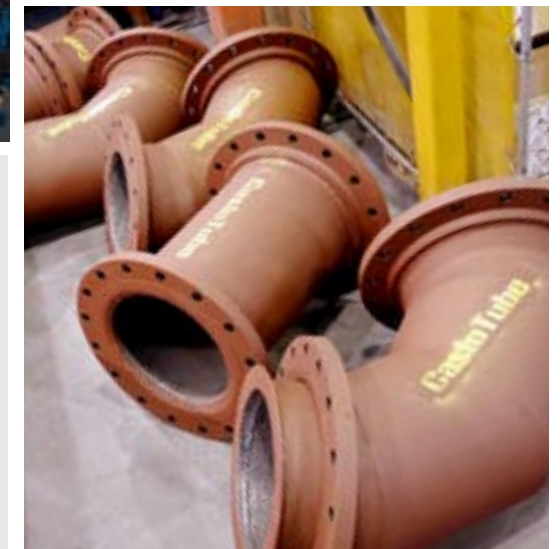


CLADED TRANSPORT PIPE

Consistent throughput of material is critical to provide consistent high-quality Ready Mix and Precast Concrete. Our field technical specialists will perform a site survey and recommend a wear management solution that will increase the service life of your transport and preparation equipment. From bin and hopper liners, to cladded pipe elbows and LaserClad transport screws, we'll keep your system working properly to maintain a homogenous mixture and reduce material segregation.

TYPICAL APPLICATIONS:

- Pipe Elbows – [CastoTube®](#)
- Aggregate Bin and Hopper Liners - [CDP®](#)
- Cladded Screw Conveyor - [LaserClad®](#)



CLADED PIPE ELBOWS



Raw Material Preparation



Concrete Preparation

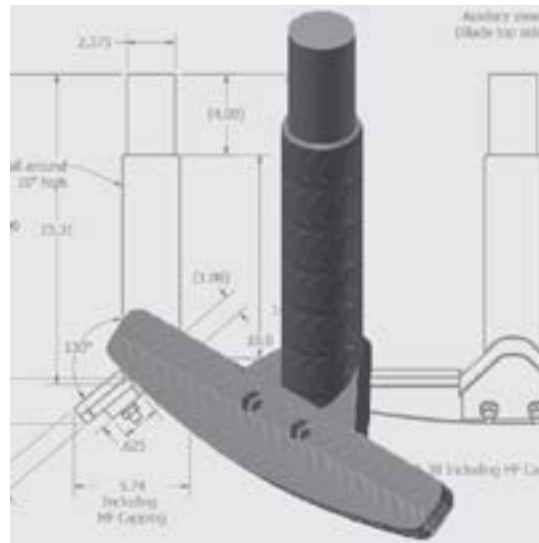


Replacement Parts for Concrete Operations

We offer replacement parts for Ready Mix and Precast Concrete production equipment, like planetary and shaft mixer liners, arm guards, cladded paddles and scrapers. Our [wear plate](#) and [laser cladded](#) wear solutions optimize the mixing process to improve quality.

Mixer Spare Parts Available for these OEMs:

AMMAN	Fejmert	OMG	SIPE
ARCEN	Haarup	Pfeiffer	STETTER
EIRICH	Liebherr	Schwing	TEKA
Elba	OCEM	SKAKO	And many more...



MIXER ARM AND BLADE



WEAR PLATE MIXER LINER

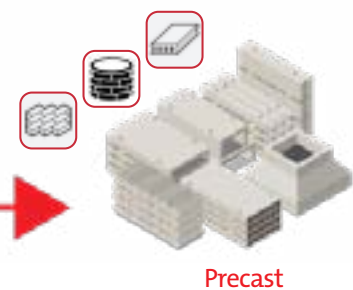


LASER CLADED TUNGSTEN CARBIDE PADDLE

Comparison of Conventional Solutions

	Total Cost	Service Life	Resistance to Breakage	Repairable	High Wear Protection	Uniform Hardness
LaserClad® LC8	\$\$\$	5	✓	✓	✓	✓
Ceramics	\$\$\$\$	7			✓	✓
CastoDur Diamond Plate® (CDP)	\$\$	5	✓	✓	✓	✓
Cast Parts	\$\$\$	5				✓
Polyurethane	\$	1	✓		✓	✓
400 Brinell	\$	2	✓	✓		

Service Life Max. 7 - Min.1



Precast



Delivery

Optimize Concrete Production Performance

Ensure your mixer is operating efficiently and extend its service life by protecting it from premature and uneven wear. From laser field measurements to high precision plasma cutting, our CDP wear plate [mixer liners](#) are designed to fit the first time with high dimensional accuracy. Through the use of our wear plate technology, mixer liners and cladded spare parts will last longer and wear evenly, for optimized mixing performance.

Reducing Carbon Footprint

We contribute to a circular economy by reducing the environmental impact of buying new parts, making your concrete operations efficient and sustainable.



CDP WEAR PLATE MIXER LINER



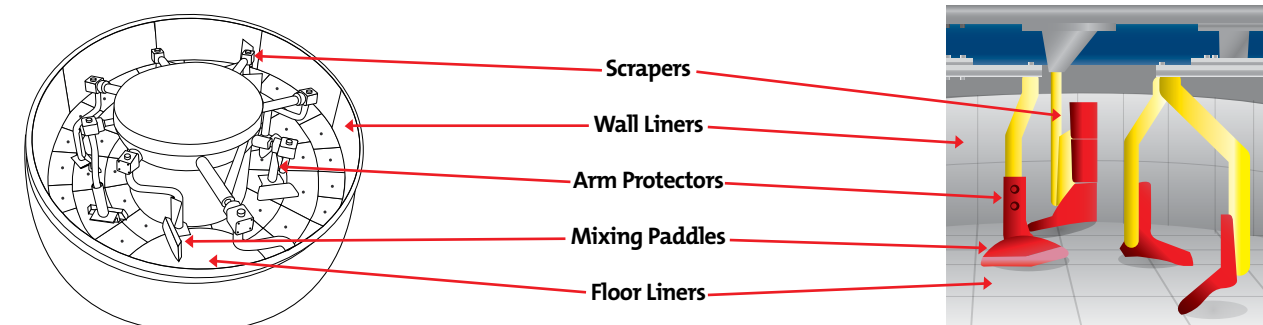
PLANETARY MIXER



TWIN SHAFT MIXER



TILT MIXER



*Pioneering
Industrial Sustainability*



Your resource for protection, repair and joining solutions

Statement of Liability: Due to variations inherent in specific applications, the technical information contained herein, including any information as to suggested product applications or results, is presented without representation or warranty, expressed or implied. Without limitation, there are no warranties of merchantability or of fitness for a particular purpose. Each process and application must be fully evaluated by the user in all respects, including suitability, compliance with applicable law and non-infringement of the rights of others, and Castolin Eutectic and its affiliates shall have no liability in respect thereof.

www.castolin.com

www.eutectic.com

EN-01-2023